

A

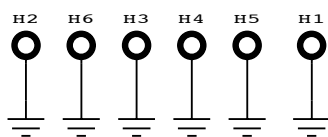
B

C

D

SHEET #	CIRCUIT FUNCTIONS
1	POWER SUPPLY CONNECTIONS, POWER-UP RESET
2	CLOCK GENERATION
3	5206 COLDFIRE MICROPROCESSOR, ADDRESS AND DATA BUFFERS
4	PROCESSOR DEBUG CONNECTORS
5	REPROGRAMMABLE CONTROL FPGA
6	MICROPROCESSOR MEMORY, MISC PAL
7	MAIN MIDI INTERFACE, WORD CLOCK PLL, I/O CONNECTOR
8	SCSI INTERFACE
9	BREAKAWAY BOARD: ASCII, AES I/O, WORD CLOCKS, MIDI B
10	FLOPPY DRIVE INTERFACE
11	FRONT PANEL BUTTON SCANNER
12	FRONT PANEL INTERFACE
13	G2.0 CHIPS
14	SOUND MEMORY BUFFERS, DRAM SIMMS
15	SOUND ROM SIMMS
16	H1.5 CHIPS 0 & 1
17	H1.5 CHIPS 2 & 3
18	GO.5 EFFECTS ENGINE, AES AUDIO RECEIVER, SAMPLING FIFO
19	ANALOG SAMPLING
20	MAIN AUDIO OUTS, HEADPHONES, DEPOP CONTROL
21	SUB AUDIO OUT 1 PAIR, JACK DETECT LATCH
22	SUB AUDIO OUT 2 PAIR
23	SUB AUDIO OUT 3 PAIR
24	EXPANSION CONNECTORS, IDE

MOUNTING HOLES



REVISIONS

ECO	REV	DESCRIPTION	DATE	APPR.
	D.2	LATEST REV OF SK627	9/1/99	TD
	A.1	SK10485: 64-PIN FLOPPY CONTROLLER	9/30/99	TD

1

1

2

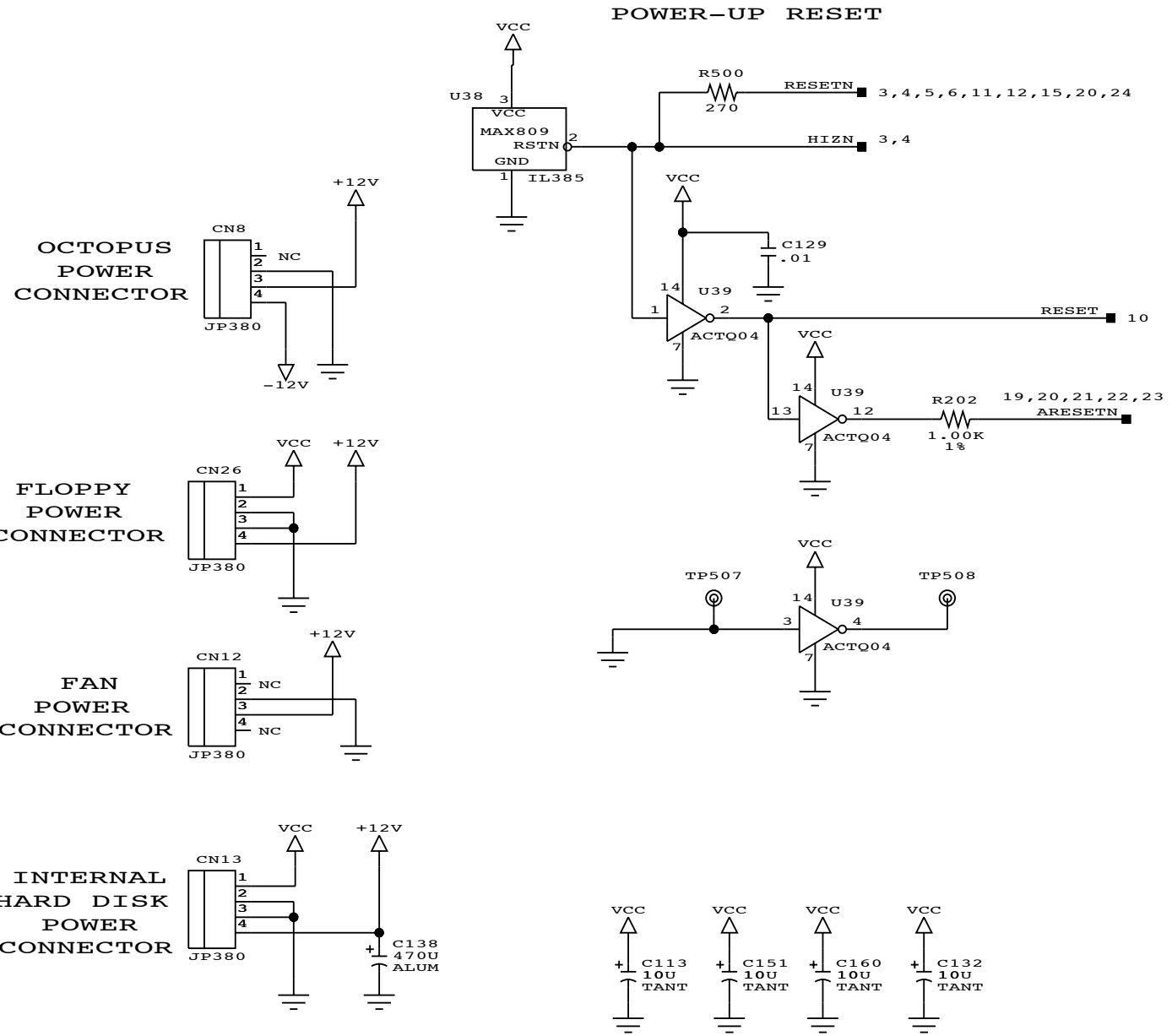
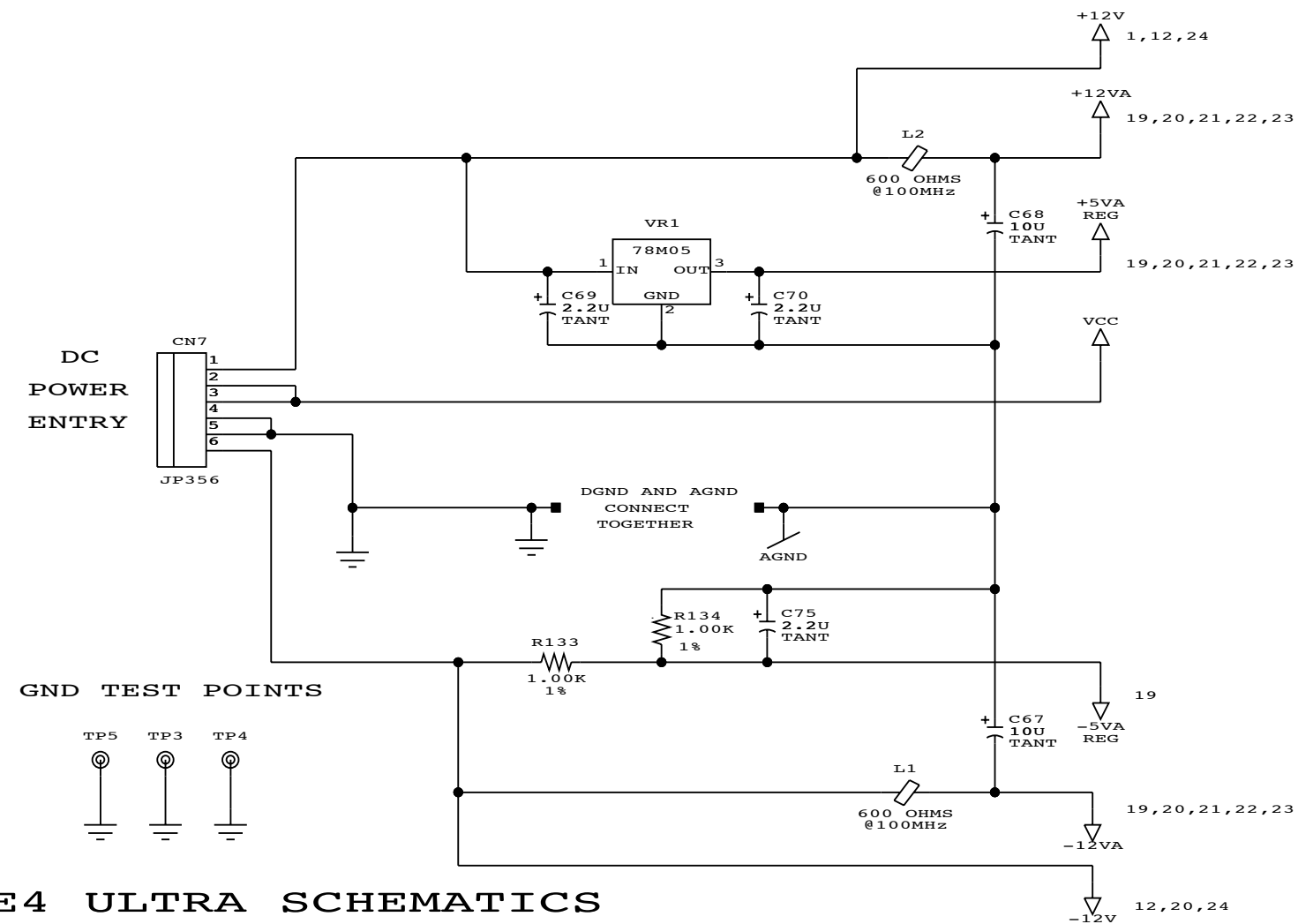
2

3

3

4

4



All capacitors in uF unless otherwise noted

E4 ULTRA SCHEMATICS

<p>E-mu Systems, Inc. applied magic for the arts 1600 Green Hills Road Scotts Valley, California 95066</p> <p><small>THIS DOCUMENT CONTAINS INFORMATION PROPRIETARY TO E-MU SYSTEMS INCORPORATED (E-MU). USE OR DISCLOSURE WITHOUT THE WRITTEN PERMISSION OF AN OFFICER OF E-MU IS EXPRESSLY FORBIDDEN. COPYRIGHT (C) 1996</small></p>	DRAWING TITLE SCHEMATIC	
	MAIN E4 ULTRA RACK V2	
	REV. A.1	DRAWING NO. SK10485
	DATE 10-5-1999_16:01	CHECK TD
SHEET: 1 OF 24	DRAWN TD	APPR TD

A

B

C

D